

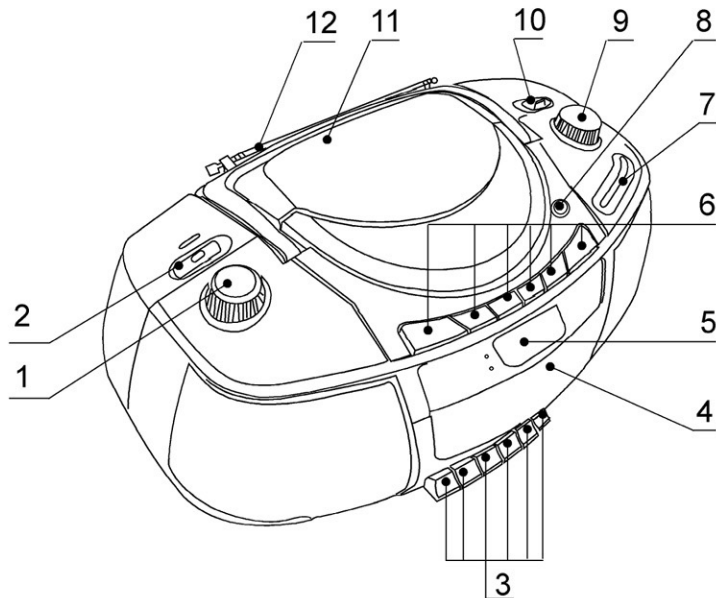
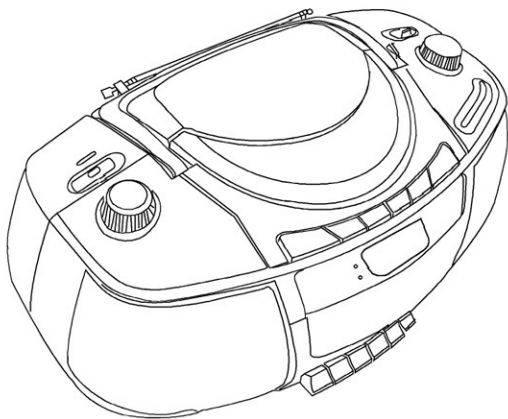
COBY®

MODEL NO: MP-CD450

Portable MP3/CD/Radio/Cassette Player/Recorder

LOCATION OF CONTROLS

- | | |
|-------------------------------|-------------------------------------|
| 1. Volume Control | 7. Tuning Indicator Window |
| 2. Function Selector | 8. CD Compartment Open/Close Button |
| 3. Cassette Operation Buttons | 9. Tuning Control |
| 4. Cassette Compartment | 10. Band Selector |
| 5. CD Display | 11. CD Compartment |
| 6. CD Operation Buttons | 12. Telescopic Antenna |



Please read instruction manual before use.

IMPORTANT SAFEGUARDS

Always operate the product from a power supply of the same voltage, frequency and rating as indicated on the product identification plate.

Do not operate product with a damaged cord or plug. Never install the unit where there are heat sources such as radiators, heat registers, stoves, direct sunlight, excessive dust or where there is mechanical vibration or shock. Switch off and unplug from AC outlet when not in use.

IMPORTANT

The CD mechanism and the sensitive circuitry may cause interference to a radio tuner nearby. Do not operate this unit while operating other radio devices.

Danger This product utilizes invisible laser radiation. Avoid direct exposure to the beam.



Caution Use of controls, adjustments or procedures not listed in this manual may result in hazardous radiation exposure.

CONCERNING COMPACT DISCS

Only compact discs identified with this mark can be used with this player.



CARE and MAINTENANCE

Handle your unit with care to extend the life of the unit. Use a soft and clean cloth dampened with plain lukewarm water to clean the exterior of the unit. Never use solvents such as benzene or other strong chemical cleaners since these could damage your unit. It is important that no liquid reaches the inside of the unit. Do not touch the CD laser part or look directly at it.

INTRODUCTION

Please read and follow the instruction manual carefully before operating in order to avoid any damage to the unit.

POWER SUPPLY

1. By using AC power

Insert one end of the AC power cord into the AC socket on the rear of the unit and the other end into a standard wall socket.

2. By using batteries

Insert 8x"D"size batteries (not included) in the battery compartment in the back of the unit by matching the polarities.

- The unit will not operate on battery power when the AC power cord is plugged into the AC socket.
- Replace batteries when the power indicator dims, the volume decreases or the sound distorts.
- Use batteries of high quality and check them regularly. Alkaline batteries are recommended.
- Do not mix new batteries with old or used batteries.
- Use only batteries of the same brand and type
- Batteries should not be left in the unit if they are exhausted or if the unit is not to be used for a long period of time as they may leak and damage the unit. Battery leakage is not covered under the warranty.

HEADPHONES (Not included)

You can use headphones with 3.5mm diameter stereo plug and have impedance of 32ohms. When the headphones are connected, the speakers are disconnected automatically.

Set the VOLUME to a low level before using headphones and gradually adjust the Volume Control to the comfortable listening level.

Do not play the VOLUME too loud for extended periods of time to avoid any damage your hearing.

RADIO OPERATION

1. Slide the Function Selector switch to radio.
2. Select the desired AM or FM with the band switch.
3. Tune the desired station by turning the Tuning Control.
4. Adjust the volume with Volume Control as desired.
5. Extend Telescopic Antenna and adjust the direction and angle to obtain the optimum reception.
6. Set the Function Switch to Tape for power standby mode.

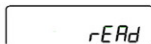
CD OPERATION

Set the FUNCTION Selector to the CD position and insert a CD.

● Play/Stop/Pause Mode

1. Press PLAY/PAUSE button to play.

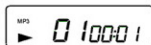
LCD screen will display.



LCD screen will display "UN dISC", if CD is not in the unit.

When CD track data has been read, LCD SCREEN will display the last track number with the total play time.

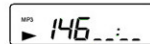
then the unit will play from the first track.



2. Press PLAY/PAUSE button to pause while in play mode.

3. Press PLAY/PAUSE button once more to resume play.

4. Press STOP to stop play. LED will display the last track.



● LISTEN TO DESIRED TRACK

1. Press SEARCH UP (or SEARCH DOWM) button to set the desired track#, press PLAY/PAUSE () button to play.

2. Press DIGIT SELECT button to select desired track

(1). At CD mode LED will display,



press SEARCH UP button to select desired

track, when it display, press DIGIT SELECT button to confirm.

(2).At MP3 mode LED will display



press SEARCH UP button to select desired track, when it display, press DIGIT SELECT button to confirm.

● REPEAT PLAY

Press MODE button once to repeat one track.



Press MODE button twice to repeat all tracks.



● INTRO PLAY

Press MODE button three times during play and "INTRO" will flash.



Press PLAY/PAUSE() button to start INTRO play from track No.1

● RANDOM PLAY

Press MODE button four times at STOP mode and "RANDOM" is displayed and flash.







Press PLAY/PAUSE() button to play tracks in random order.

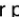

● PROGRAM PLAY

1. Press PROG button at stop mode and "PROGRAM" will display.



2. Press SEARCH UP  (or SEARCH DOWM ) button to select the track number.
3. When desired track is displayed, press PROG. button to set.
4. Repeat 2~3 to set up to 20(CD mode) or 64 tracks(MP3 mode). The display will show the current set track.
5. Press PLAY/PAUSE() button to start the programmed tracks.
6. Press STOP() button to clear the programming.

CASSETTE TAPE OPERATION

1. Set the FUNCTION Selector to the TAPE (OFF) position.
2. Press STOP/EJECT to open the tape deck door. Insert a tape and close the door.
3. Press PLAY to start play, the tape will stop automatically at the end.
4. Press  to rewind or press  to fast forward tape.
5. Press STOP/EJECT to stop play.
6. Press STOP/EJECT one more time to open the cassette door and take the tape out.
7. Adjust the sound with the VOLUME control.

We recommend that you use only type1 (Normal Bias) cassette tape with your tape player.

RECORDING FROM RADIO/CD

This unit is equipped with ALC (Automatic Level control) circuitry that automatically sets the recording to the optimum level. Adjusting the VOLUME control does not effect the recording.

We recommend that the unit be powered by AC (house current) when recording since this function uses the most power. We recommend that you use Type 1 (normal bias) cassette tapes only.

●Recording from Radio

1. Set the FUNCTION Selector to the RADIO position.
2. Set the BAND Selector to AM or FM.
3. Turn the TUNING Dial to tune in a radio station.
4. Open the cassette deck door and insert the blank tape.
5. Press PAUSE, then press RECORD, the PLAY key is automatically engaged with RECORD button.
6. Release the PAUSE button to begin recording. You can use the PAUSE button to edit any unwanted commercials or programs during your recording.
7. Recording will stop automatically at the end of the tape or press STOP to end the recording manually.

●Recording from CD

1. Set the FUNCTION selector to the CD position.
2. Insert a CD.
3. Open the cassette deck door and insert the blank tape.
4. Press RECORD and the PLAY key is automatically engaged.
5. Press the PLAY/PAUSE button on the CD player, the Play/Pause indicator will illuminate.

6. Press the STOP button to manually end recording or it will stop automatically at the end of recording.

SPECIFICATIONS

Power Source : AC 110/220V 50/60Hz 10W DC 12V
(8x"D" size batteries)(not included)

Speakers : 4" Wide range, 4ohm

Output Power : 2x2W

Dimensions : 14 1/2"x6"x8 1/2"

Weight : 5 lbs (without batteries)

Tape Player/Recorder

Tape : Standard normal bias

Frequency Response : 80-10,000Hz

Radio

Frequency Response : FM 88-108MHz

AM 530-1700KHz

CD Player

Laser Wavelength : 760-800nm

Tracking Method : 3-spot error detection/3.86mm lens

COBY® 90 DAYS LIMITED WARRANTY

COBY ELECTRONICS CORP. ("COBY") warrants this product to the original purchaser to be free from defects in material or workmanship under normal use for 90 DAYS from the date of original purchase. COBY agrees under this warranty, to repair or replace it with a new or reconditioned product at no additional charge. Our warranty does not cover any product which has been subject to neglect, unreasonable use, accident, violation of operating instruction or any product that has been repaired or modified by an unauthorized service agent. To obtain factory service, return this unit freight-prepaid to the address shown below within the duration of this warranty. Enclose \$6.00 for each item in the form of money order made payable to COBY ELECTRONICS CORP. to cover the cost of shipping and handling. Also, include a copy of the sales receipt to show proof of purchase and a detailed description of the problem. The unit(s) must be packaged in such a way as to reasonably protect it from possible shipping damage. For further information write to.

COBY ELECTRONICS CORP.
Customer Service Dept.
56-65 Rust Street
Maspeth, N.Y. 11378

COBY'S liability under any legal theory for any loss damage in any way related to this product shall not exceed the sales price of this product. In no event shall COBY be liable for any incidental or consequential damages resulting from the use of this product, or inability to use this product. Repair or replacement as provided under this warranty is the exclusive right of the consumer.

Except to the extent prohibited by law, no express or implied warranty of merchant ability or fitness for a particular purpose on this product shall be extended beyond the period of this warranty. Some States prohibit the exclusion or limitation of incidental or consequential damages, so that the above limitation or exclusion may not apply to you. This warranty gives you specific rights, and you may also have other rights which may vary from State to State.